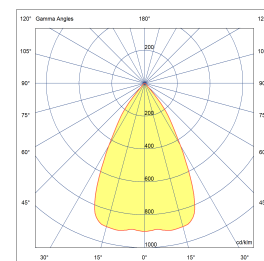
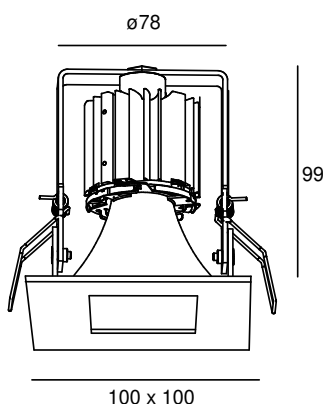
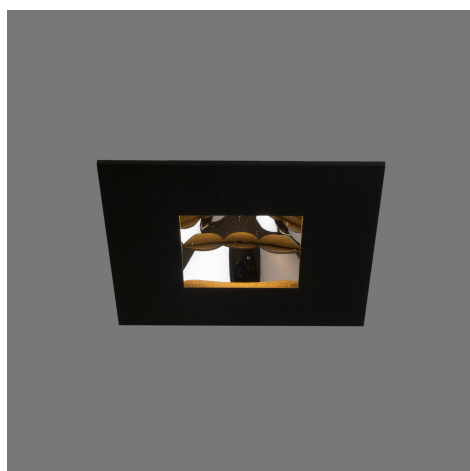


# HOLY LIGHT SQUARE



|               |                  |                     |           |
|---------------|------------------|---------------------|-----------|
| POWERLED(S)   | 1 x 6 Watt incl. | REFLECTOR           | 60° incl. |
| CRI           | 90+              | VOLTAGE             | 500 mA    |
| GEAR / DRIVER | Not included     | FORWARD VOLTAGE     | 13,5 VDC  |
| MATERIAL      | Aluminium        | MOUNTING DEPTH      | 105 mm    |
| WEIGHT (KG)   | 0,3              | CUTOUT SHAPE / SIZE | 90 mm     |
| IP            | 20               |                     |           |



**SPECIAL:** Torsion springs and Leaf springs included.

## MODELS

|  | ARTICLE N°   | DESCRIPTION                | COLOUR       | KELVIN | LUMEN |
|--|--------------|----------------------------|--------------|--------|-------|
|  | 008091212702 | HOLY LIGHT INT. WARM WHITE | BLACK STRUC. | 2700   | 900   |
|  | 008091213002 | HOLY LIGHT INT. WARM WHITE | BLACK STRUC. | 3000   | 900   |
|  | 008091212701 | HOLY LIGHT INT. WARM WHITE | WHITE STRUC. | 2700   | 900   |
|  | 008091213001 | HOLY LIGHT INT. WARM WHITE | WHITE STRUC. | 3000   | 900   |
|  | 008091212703 | HOLY LIGHT INT. WARM WHITE | ANY RAL      | 2700   | 900   |
|  | 008091213003 | HOLY LIGHT INT. WARM WHITE | ANY RAL      | 3000   | 900   |