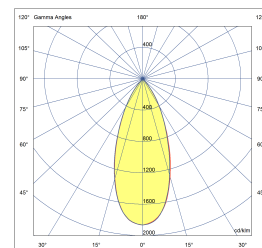
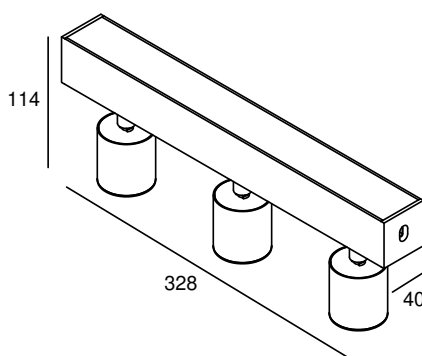


# TWIST DIRECTABLE BOX 3



POWERLED(S)	3 x 5 Watt incl.	REFLECTOR	40°
CRI	90+	VOLTAGE	230 VAC - 50/60 Hz
GEAR / DRIVER	230 VAC LED	MATERIAL	Aluminium
WEIGHT	0,70 KG	IP	20



**SPECIAL:** Knee joint can be in any RAL on demand

**OPTIONS:** Copper fitting in any ral (mention on order)

## MODELS

	ARTICLE N°	DESCRIPTION	COLOUR	KELVIN	LUMEN
	005261112702	TWIST DIRECTABLE BOX 2 X 5W INT. WARM WHITE	BLACK STRUC.	2700	1470
	005261113002	TWIST DIRECTABLE BOX 2 X 5W INT. WARM WHITE	BLACK STRUC.	3000	1500
	005261114002	TWIST DIRECTABLE BOX 2 X 5W INT. NATURAL WHITE	BLACK STRUC.	4000	1575
	005261112701	TWIST DIRECTABLE BOX 2 X 5W INT. WARM WHITE	WHITE STRUC.	2700	1470
	005261113001	TWIST DIRECTABLE BOX 2 X 5W INT. WARM WHITE	WHITE STRUC.	3000	1500
	005261114001	TWIST DIRECTABLE BOX 2 X 5W INT. NATURAL WHITE	WHITE STRUC.	4000	1575
	005261112703	TWIST DIRECTABLE BOX 2 X 5W INT. WARM WHITE	ANY RAL	2700	1470
	005261113003	TWIST DIRECTABLE BOX 2 X 5W INT. WARM WHITE	ANY RAL	3000	1500
	005261114003	TWIST DIRECTABLE BOX 2 X 5W INT. NATURAL WHITE	ANY RAL	4000	1575