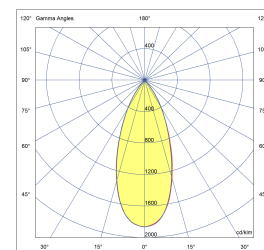
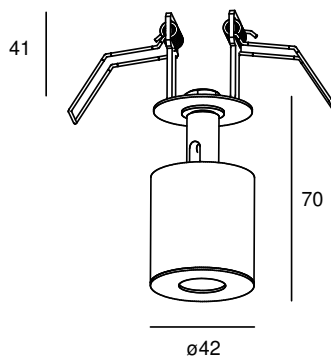


# TWIST RECESSED



POWERLED(S)	1 x 5 Watt incl.	REFLECTOR	40°
CRI	90+	VOLTAGE	230 VAC - 50/60 Hz
GEAR / DRIVER	230 VAC LED	MATERIAL	Aluminium
WEIGHT	0,2 KG	IP	20



**SPECIAL:** Knee joint can be in any RAL on demand

**OPTIONS:** Bras part in any ral (mention on order)

## MODELS

	ARTICLE N°	DESCRIPTION	COLOUR	KELVIN	LUMEN
	005101212702	TWIST DIRECTABLE 5W INT. WARM WHITE	BLACK STRUC.	2700	490
	005101213002	TWIST DIRECTABLE 5W INT. WARM WHITE	BLACK STRUC.	3000	500
	005101214002	TWIST DIRECTABLE 5W INT. NATURAL WHITE	BLACK STRUC.	4000	525
	005101212701	TWIST DIRECTABLE 5W INT. WARM WHITE	WHITE STRUC.	2700	490
	005101213001	TWIST DIRECTABLE 5W INT. WARM WHITE	WHITE STRUC.	3000	500
	005101214001	TWIST DIRECTABLE 5W INT. NATURAL WHITE	WHITE STRUC.	4000	525
	005101212703	TWIST DIRECTABLE 5W INT. WARM WHITE	ANY RAL	2700	490
	005101213003	TWIST DIRECTABLE 5W INT. WARM WHITE	ANY RAL	3000	500
	005101214003	TWIST DIRECTABLE 5W INT. NATURAL WHITE	ANY RAL	4000	525