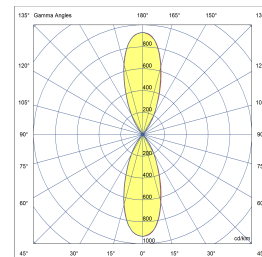
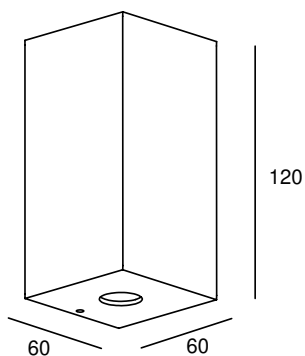
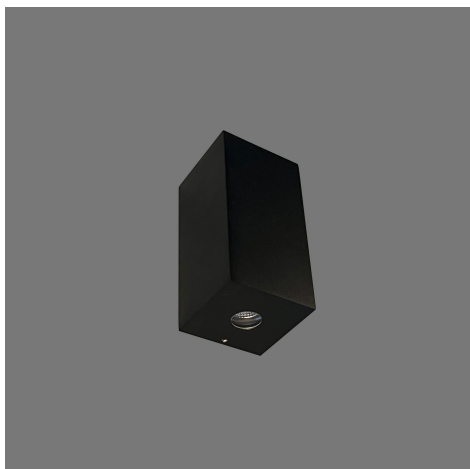


# LU-DO UP-DOWN



POWERLED(S)	2 x 5 Watt incl.	REFLECTOR	40°
CRI	90+	VOLTAGE	230 VAC - 50/60 Hz
GEAR / DRIVER	230 VAC LED	MATERIAL	Aluminium
WEIGHT	0,3 KG	IP	20



## MODELS

	ARTICLE N°	DESCRIPTION	COLOUR	KELVIN	LUMEN
	033051132702	LU-DO UP-DOWN 5W EXT. WARM WHITE	BLACK STRUC.	2700	980
	033051133002	LU-DO UP-DOWN 5W EXT. WARM WHITE	BLACK STRUC.	3000	1000
	033051134002	LU-DO UP-DOWN 5W EXT. NATURAL WHITE	BLACK STRUC.	4000	1050
	033051132701	LU-DO UP-DOWN 5W EXT. WARM WHITE	WHITE STRUC.	2700	980
	033051133001	LU-DO UP-DOWN 5W EXT. WARM WHITE	WHITE STRUC.	3000	1000
	033051134001	LU-DO UP-DOWN 5W EXT. NATURAL WHITE	WHITE STRUC.	4000	1050
	033051132703	LU-DO UP-DOWN 5W EXT. WARM WHITE	ANY RAL	2700	980
	033051133003	LU-DO UP-DOWN 5W EXT. WARM WHITE	ANY RAL	3000	1000
	033051134003	LU-DO UP-DOWN 5W EXT. NATURAL WHITE	ANY RAL	4000	1050