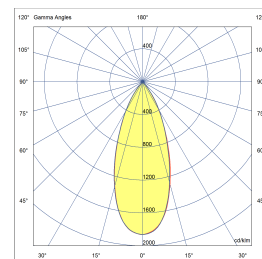
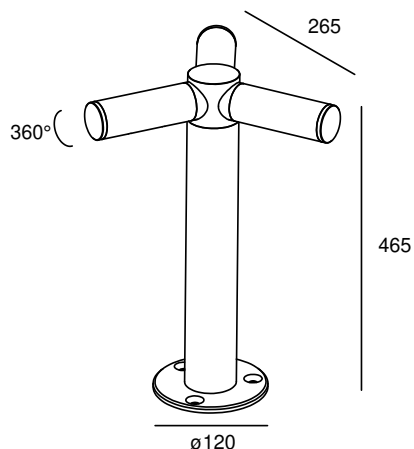


TRIPOD 3 FLOOR 500L



POWERLED(S)	6 x 5 Watt incl.	ADJUSTABILITY	360°
CRI	90+	VOLTAGE	230 VAC - 50/60 Hz
GEAR / DRIVER	230 VAC LED	MATERIAL	Aluminium
WEIGHT	1,6 KG	IP	65



SPECIAL: Other finishing on request, real brons, real stainless steel 316L EL

MODELS

	ARTICLE N°	DESCRIPTION	COLOUR	KELVIN	LUMEN
	012132522702	TRIPOD 2 FLOOR 500L EXT. WARM WHITE	BLACK STRUC.	2700	x
	012132523002	TRIPOD 2 FLOOR 500L EXT. WARM WHITE	BLACK STRUC.	3000	x
	012132524002	TRIPOD 2 FLOOR 500L EXT. NATURAL WHITE	BLACK STRUC.	4000	x
	012132522715	TRIPOD 2 FLOOR 500L EXT. WARM WHITE	GREY STRUC.	2700	x
	012132523015	TRIPOD 2 FLOOR 500L EXT. WARM WHITE	GREY STRUC.	3000	x
	012132524015	TRIPOD 2 FLOOR 500L EXT. NATURAL WHITE	GREY STRUC.	4000	x
	012132522703	TRIPOD 2 FLOOR 500L EXT. WARM WHITE	ANY RAL	2700	x
	012132523003	TRIPOD 2 FLOOR 500L EXT. WARM WHITE	ANY RAL	3000	x
	012132524003	TRIPOD 2 FLOOR 500L EXT. NATURAL WHITE	ANY RAL	4000	x