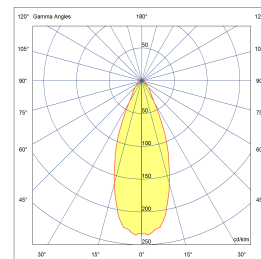
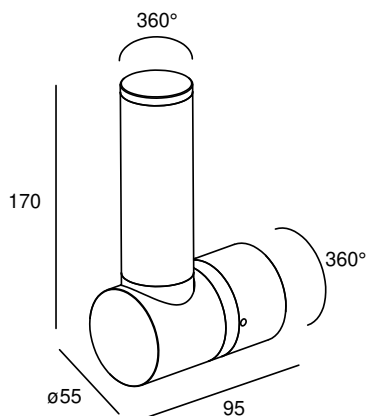


# TRIPOD 1 WALL



POWERLED(S)	2 x 5 Watt incl.	ADJUSTABILITY	360°
CRI	90+	VOLTAGE	230 VAC - 50/60 Hz
GEAR / DRIVER	230 VAC LED	MATERIAL	Aluminium
WEIGHT	0,55 KG	IP	65



**SPECIAL:** Other finishing on request, real brons, real stainless steel 316L EL

## MODELS

	ARTICLE N°	DESCRIPTION	COLOUR	KELVIN	LUMEN
	012112132702	TRIPOD 1 WALL INT. WARM WHITE	BLACK STRUC.	2700	x
	012112133002	TRIPOD 1 WALL INT. WARM WHITE	BLACK STRUC.	3000	x
	012112134002	TRIPOD 1 WALL INT. NATURAL WHITE	BLACK STRUC.	4000	x
	012112132715	TRIPOD 1 WALL INT. WARM WHITE	GREY STRUC.	2700	x
	012112133015	TRIPOD 1 WALL INT. WARM WHITE	GREY STRUC.	3000	x
	012112134015	TRIPOD 1 WALL INT. NATURAL WHITE	GREY STRUC.	4000	x
	012112132703	TRIPOD 1 WALL INT. WARM WHITE	ANY RAL	2700	x
	012112133003	TRIPOD 1 WALL INT. WARM WHITE	ANY RAL	3000	x
	012112134003	TRIPOD 1 WALL INT. NATURAL WHITE	ANY RAL	4000	x