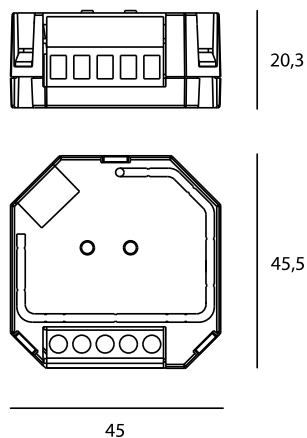
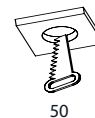



# TRIAC RF + PUSH DIMMER 230VAC



MAX. POWER	200W	VOLTAGE	230 VAC
CUTOUT SHAPE / SIZE	50 MM	IP	20
DIMMABLE	TRIAC PUSH-DIM + RF	DIMENSIONS LxWxH (mm)	45 x 45,5 x 20,3



## MODELS

ARTICLE N°	DESCRIPTION	COLOUR
 <b>900341001001</b>	1 CHANNEL TRIAC DIMMER + RF RECEIVER	WHITE